



Low Water Cut-Offs – Float Type For Steam Boilers

Series 61

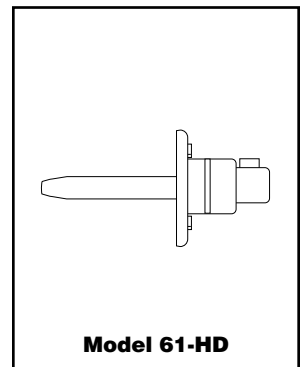
Low Water Cut-Offs



Replacement Head Mechanisms

For Series	Repl. Head Model No.	Part Number	Description	Weight lbs. (kg)
61	61-HD or	140300	Head mechanism	3.5 (1.6)
	6667	153825	Head mechanism	1.5 (0.7)

Head mechanisms include a gasket and bolts.



Components

Key	Part Number	Catalog Number	Description	Weight lbs. (kg)
1	302600	CO-12	Head Gasket	0.1 (0.5)
2	318800	67-12	Gasket	0.1 (0.5)
3	344200	SA67-2	Float & Bellows Assembly	0.3 (.14)
4	309100	11	Switch	0.5 (.23)
5	309151	11-M	Switch w/Manual Reset	0.5 (.23)
6	309200	11-MV	Switch for Millivolt Service	0.5 (.23)

